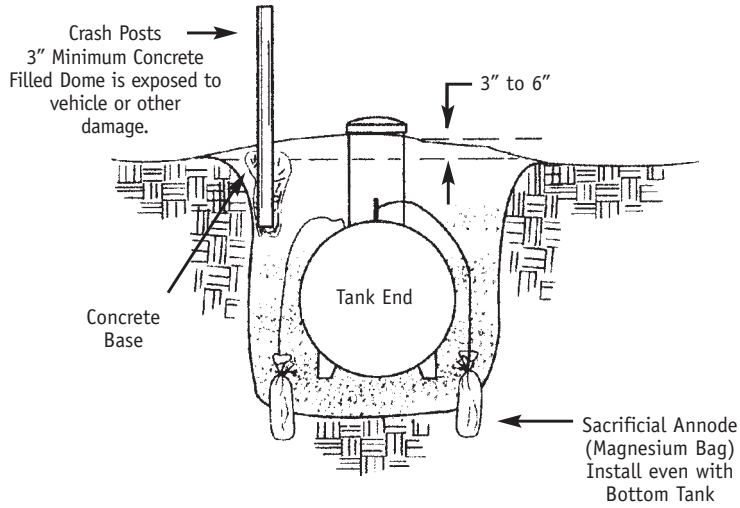


# UNDERGROUND TANK INSTALLATION

Tank Size	Underground Tank Dimensions	Approximate Excavation Dimensions (generally allow 12" on each side)
1000 Gal.	16'8" x 3'4"	18'0" x 5'6"
500 Gal.	10'0" x 3'1"	12'0" x 5'0"
325 Gal.	10'0" x 2'5"	12'0" x 4'6"
120 Gal.	5'6" x 2'0"	7'0" x 4'0"



## Underground Tank Installation (no scale)

